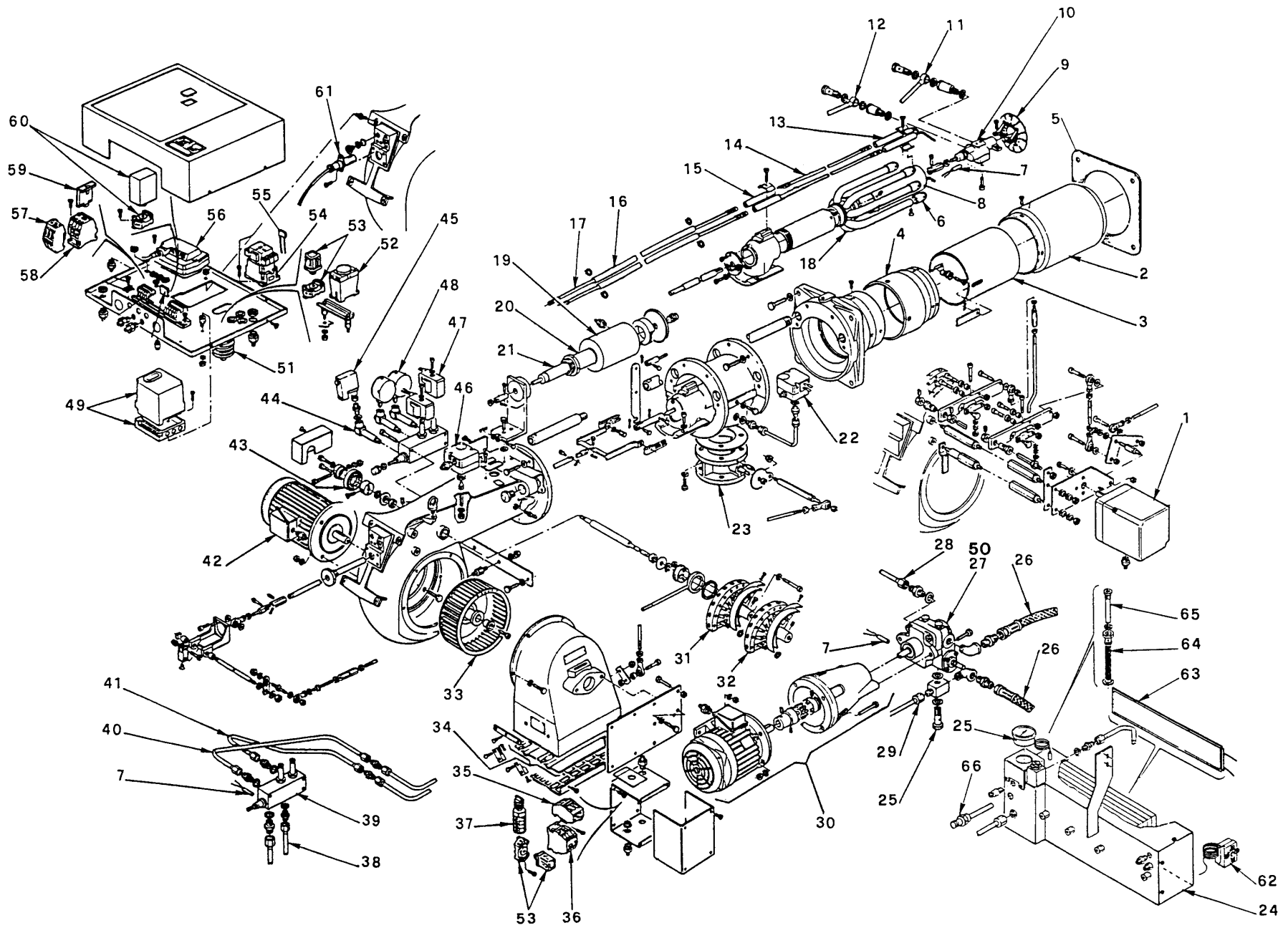


Bruciatori policombustibile nafta/gas Dual fuel Heavy-Oil/Gas burners Brûleurs mixtes fioul lourd/gaz Mehrstoffbrenner Heizöl S/Gas

Funzionamento bistadio progressivo o modulante
Progressive two-stage or modulating operation
Fonctionnement à deux allures progressive ou modulant
Zweistufiger gleitender oder modulierend Betrieb

COD.	MOD.	TYP.
3486701	ENNE/EMME 1400	618 M
3486702	ENNE/EMME 1400	618 M
3487801	ENNE/EMME 2000	619 M
3487802	ENNE/EMME 2000	619 M



N.	COD.	3486701 618 M		3487802 619 M *		DESCRIZIONE	DESCRIPTION	DESCRIPTION	BESCHREIBUNG	MATRICOLA BRUCIATORE BURNER SERIAL NUMBER MATRICULE BRULEUR BRENNER KENN-NUMMER
		3486702 618 M *	3487801 619 M	3487802 619 M *	3487801 619 M					
1	3000871	●	●	●	●	SERVOMOTORE	SERVOMOTOR	SERVOMOTEUR	STELLMOTOR	
2	3006233	●	●			IMBUTO FIAMMA	END CONE	ERBOUT GUEULARD	FLAMMENROHR	
2	3012245			●	●	IMBUTO FIAMMA	END CONE	ERBOUT GUEULARD	FLAMMENROHR	
3	3012243	●				CILINDRO	SLEEVE	CYLINDRE	ZYLINDER	
3	3012244		●			CILINDRO	SLEEVE	CYLINDRE	ZYLINDER	
3	3012215			●		CILINDRO	SLEEVE	CYLINDRE	ZYLINDER	
3	3012216				●	CILINDRO	SLEEVE	CYLINDRE	ZYLINDER	
4	3006193		●		●	PROLUNGA	EXTENSION	RALLONGE	VERLÄNGERUNG	
5	3006180	●	●	●	●	SCHERMO	FLANGE GASKET	ECRAN THERMIQUE	FLANSCHDICHTUNG	
6	3012247	●	●			DIFFUSORE	GAS NOZZLE	DIFFUSEUR	GAS VERTEILER	
6	3012246			●	●	DIFFUSORE	GAS NOZZLE	DIFFUSEUR	GAS VERTEILER	
7	3012387	●	●	●	●	GRUPPO RESISTENZA	HEATER GROUP	GROUPE RESISTANCE	HEIZWIDERSTAND	
8	3012248	●	●	●	●	TUBO	TUBE	TUYAUTERIE	DRUCKROHR	
9	3012250	●	●	●	●	ELICA	DIFFUSER DISC	ACCROCHE FLAMME	STAUSCHEIBE	
10	3003311	●	●	●	●	POLVERIZZATORE	NOZZLE HOLDER	PULVERISATEUR	DÜSENSTOCK	
11	3012251	●		●		TUBO	TUBE	TUYAUTERIE	DRUCKROHR	
11	3012252		●		●	TUBO	TUBE	TUYAUTERIE	DRUCKROHR	
12	3012253	●		●		TUBO	TUBE	TUYAUTERIE	DRUCKROHR	
12	3012254		●		●	TUBO	TUBE	TUYAUTERIE	DRUCKROHR	
13	3012255	●	●	●	●	ELETTRODO	ELECTRODE	ELECTRODE PORCELAINE	ELEKTRODE	
14	3012267	●		●		COLLEGAMENTO	H.T. LEAD	CABLE H.T.	ZÜNDKABEL	
14	3012268		●		●	COLLEGAMENTO	H.T. LEAD	CABLE H.T.	ZÜNDKABEL	
15	3012258	●	●	●	●	ISOLATORE	INSULATOR	PORCELAINE D'ELECTRODE	ISOLATOR	
16	3003101	●	●	●	●	TUBETTO	TUBE	TUYAU	RÖHRCHEN	
17	3012162	●	●	●	●	COLLEGAMENTO	H.T. LEAD	CABLE H.T.	ZÜNDKABEL	
18	3012256	●	●			DISTRIBUTORE	GAS NOZZLE RING	MELANGEUR	VERTEILER	
18	3012257			●	●	DISTRIBUTORE	GAS NOZZLE RING	MELANGEUR	VERTEILER	
19	3012420	●	●	●	●	MAGNETE	MAGNETO	BOBINE	MAGNET	
20	3003285	●	●	●	●	GUAINA	ARMATURE SLEEVE	GAINE E.V.	MV-HÜLSE	
21	3012376	●	●	●	●	NUCLEO	ARMATURE	NOYAU E.V.	SPULENKERN	
22	3003660	●	●	●	●	PRESSOTATO GAS	GAS PRESSURE SWITCH	PRESSOSTAT GAZ	GASDRUCKWÄCHTER	
23	3006096	●	●			REGOLATORE GAS	BUTTERFLY VALVE	CLAPET GAZ	GASDROSSELKLAPPE	
23	3012262			●	●	REGOLATORE GAS	BUTTERFLY VALVE	CLAPET GAZ	GASDROSSELKLAPPE	
24	3003741	●	●	●	●	SERBATOIO	PRE-HEATER	RESERVOIRE	ÖLVORWÄRMER	
25	3006927	●	●	●	●	TERMOMETRO	THERMOMETER	THERMOMETRE	THERMOMETER	
26	3012714	●	●	●	●	TUBO FLESSIBILE	FLEXIBLE OIL LINE	FLEXIBLE	SCHLAUCH	
27	3006158	●	●			POMPA	PUMP	POMPE	PUMPE	
27	3006236			●	●	POMPA	PUMP	POMPE	PUMPE	
28	3012388	●	●	●	●	TUBO	TUBE	TUYAUTERIE	DRUCKROHR	
29	3012389	●	●	●	●	TUBO	TUBE	TUYAUTERIE	DRUCKROHR	
30	3012390	●	●	●	●	MOTORE	MOTOR	MOTEUR	MOTOR	
31	3012263	●	●	●	●	CAMMA COMPLETA	CAM ASSEMBLY	CAME COMPLETE	VERBUNDREGLER	
32	3006093	●	●	●	●	CAMMA COMPLETA	CAM ASSEMBLY	CAME COMPLETE	VERBUNDREGLER	
33	3005508	●	●			GIRANTE	FAN	TURBINE	GEBLÄSERAD	

N.	COD.	3486701	618	M	3486702	618	M	*	3487801	619	M	3487802	619	M	*	DESCRIZIONE	DESCRIPTION	DESCRIPTION	BESCHREIBUNG	MATRICOLA BRUCIATORE BURNER SERIAL NUMBER MATRICULE BRULEUR BRENNER KENN-NUMMER
		●	●	●	●	●	●	●	●	●	●	●	●	●						
33	3012070	●	●	●	●	●	●	●	●	●	●	●	●	●	●	GIRANTE	FAN	TURBINE	GEBLÄSERAD	
34	3012264	●	●	●	●	●	●	●	●	●	●	●	●	●	●	GRUPPO SERRANDA	AIR DAMPER ASSEMBLY	GROUPE VOLET AIR	LUFTKLAPPE	
35	3002288	●	●	●	●	●	●	●	●	●	●	●	●	●	●	RELE' TERMICO	OVERLOAD	RELAIS THERMIQUE	ÜBERSTROMAUSLÖSER	
36	3002285	●	●	●	●	●	●	●	●	●	●	●	●	●	●	CONTATTORE	CONTACTOR	CONTACTEUR	SCHÜTZ	
37	3006675	●	●	●	●	●	●	●	●	●	●	●	●	●	●	COMMUTATORE	SELECTOR SWITCH	COMMUTATEUR	WAHLSCHALTER	
38	3003307	●	●	●	●	●	●	●	●	●	●	●	●	●	●	TUBO	TUBE	TUYAUTERIE	DRUCKROHR	
39	3003288	●	●	●	●	●	●	●	●	●	●	●	●	●	●	MODULATORE	MODULATOR	MODULATEUR	MODULATOR	
40	3012391	●	●	●	●	●	●	●	●	●	●	●	●	●	●	TUBO	TUBE	TUYAUTERIE	DRUCKROHR	
41	3012392	●	●	●	●	●	●	●	●	●	●	●	●	●	●	TUBO	TUBE	TUYAUTERIE	DRUCKROHR	
42	3008408	●	●	●	●	●	●	●	●	●	●	●	●	●	●	MOTORE	MOTOR	MOTEUR	MOTOR	
42	3005215	●	●	●	●	●	●	●	●	●	●	●	●	●	●	MOTORE	MOTOR	MOTEUR	MOTOR	
43	3003186	●	●	●	●	●	●	●	●	●	●	●	●	●	●	CUSCINETTO	BEARING	ROULEMENT	LAGER	
44	3006540	●	●	●	●	●	●	●	●	●	●	●	●	●	●	VALVOLA	NEEDLE VALVE	ROBINET POINTEAU	NADELVENTIL	
45	3012384	●	●	●	●	●	●	●	●	●	●	●	●	●	●	PRESSOSTATO OLIO	OIL PRESSURE SWITCH	PRESSOSTAT FIOUL	ÖLDRUCKWÄCHTER	
46	3006593	●	●	●	●	●	●	●	●	●	●	●	●	●	●	PRESSOSTATO ARIA	AIR PRESSURE SWITCH	PRESSOSTAT AIR	LUFTDRUCKWÄCHTER	
47	3003287	●	●	●	●	●	●	●	●	●	●	●	●	●	●	BOBINA	COIL	BOBINE E.V.	MV-SPULE	
48	3006140	●	●	●	●	●	●	●	●	●	●	●	●	●	●	MANOMETRO	PRESSURE GAUGE	MANOMETRE	MANOMETER	
49	3006090	●	●	●	●	●	●	●	●	●	●	●	●	●	●	APPARECCHIATURA	CONTROL BOX	BOITE DE CONTROLE	STEUERGERÄT	
50	3000804	●	●	●	●	●	●	●	●	●	●	●	●	●	●	ORGANO DI TENUTA	PUMP SEAL	ORGANE D'ETANCHEITE	WELLENDICHTUNG	
51	3003149	●	●	●	●	●	●	●	●	●	●	●	●	●	●	CUFFIA	COWLING	PROTECTION CAOUTCHOUC	SCHUTZ	
52	3006214	●	●	●	●	●	●	●	●	●	●	●	●	●	●	TEMPORIZZATORE	TIMER	TEMPORISATEUR	ZEITRELAIS	
53	3012385	●	●	●	●	●	●	●	●	●	●	●	●	●	●	RELE'	RELAY	RELAIS	RELAIS	
54	3006120	●	●	●	●	●	●	●	●	●	●	●	●	●	●	CONTATTORE	CONTACTOR	CONTACTEUR	SCHÜTZ	< 02127000157
54	3012321	●	●	●	●	●	●	●	●	●	●	●	●	●	●	CONTATTORE	CONTACTOR	CONTACTEUR	SCHÜTZ	> 02127000156
55	3002305	●	●	●	●	●	●	●	●	●	●	●	●	●	●	SOPPRESSORE	DAMPER	CONDENSATEUR	FUNKENTSTÖRUNG	
56	3012164	●	●	●	●	●	●	●	●	●	●	●	●	●	●	TRASFORMATORE	TRANSFORMER	TRANSFORMATEUR	ZÜNDTRANSFORMATOR	
57	3006167	●	●	●	●	●	●	●	●	●	●	●	●	●	●	RELE' TERMICO	OVERLOAD	RELAIS THERMIQUE	ÜBERSTROMAUSLÖSER	< 02127000157
57	3006188	●	●	●	●	●	●	●	●	●	●	●	●	●	●	RELE' TERMICO	OVERLOAD	RELAIS THERMIQUE	ÜBERSTROMAUSLÖSER	< 02127000157
58	3006166	●	●	●	●	●	●	●	●	●	●	●	●	●	●	CONTATTORE	CONTACTOR	CONTACTEUR	SCHÜTZ	< 02127000157
58	3006119	●	●	●	●	●	●	●	●	●	●	●	●	●	●	CONTATTORE	CONTACTOR	CONTACTEUR	SCHÜTZ	< 02127000157
58+57	3012363	●	●	●	●	●	●	●	●	●	●	●	●	●	●	RELE'+CONTATTORE	OVERLOAD+CONTACTOR	RELAIS +CONTACTEUR	AUSLÖSER+SCHÜTZ	> 02127000156
58+57	3003621	●	●	●	●	●	●	●	●	●	●	●	●	●	●	RELE'+CONTATTORE	OVERLOAD+CONTACTOR	RELAIS +CONTACTEUR	AUSLÖSER+SCHÜTZ	> 02127000156
59	3012362	●	●	●	●	●	●	●	●	●	●	●	●	●	●	BLOCCH. CONTATTI AUSILIARI	AUXILIARY CONTACT BLOCK	BLOC CONTACTES AUXILIARES	THERMISCHES RELAIS	> 02127000156
60	3012386	●	●	●	●	●	●	●	●	●	●	●	●	●	●	TERMOSTATO ELETTRONICO	ELETTRONIC THERMOSTAT	THERMOSTAT ELECTRONIQUE	ELEKTRONISCHER THERMOSTAT	
61	3003396	●	●	●	●	●	●	●	●	●	●	●	●	●	●	FOTOCELLULA U.V.	U.V. DETECTOR	PHOTOCELLULE U.V.	U.V. PHOTOZELLE	
62	3006444	●	●	●	●	●	●	●	●	●	●	●	●	●	●	TERMOSTATO	THERMOSTAT	THERMOSTAT	THERMOSTAT	
63	3006067	●	●	●	●	●	●	●	●	●	●	●	●	●	●	RESISTENZA	RESISTANCE	RESISTANCE	WIDERSTAND	
64	3006541	●	●	●	●	●	●	●	●	●	●	●	●	●	●	FILTRO	FILTER	FILTRE	FILTER	
65	3003273	●	●	●	●	●	●	●	●	●	●	●	●	●	●	GUAINA	ARMATURE SLEEVE	GAINE E.V.	MV-HÜLSE	
66	3003747	●	●	●	●	●	●	●	●	●	●	●	●	●	●	TERMORESISTENZA	RESISTANCE THERMOMETER	THERMOMETRE RESISTANCE	TAUCHTEMPERATUR FÜHLER	

* = Versione Testa Lunga - Long Combustion Head Version - Version Tête Longue - Langer Brennkopf Ausführung



RIELLO S.p.A.
Via degli Alpini 1
I - 37045 Legnago (VR)
Tel.: +39.0442.630111 Fax: +39.0442.22378
[http:// www.riello.it](http://www.riello.it)